



The intelligence behind Wireless Optimized Architecture™

UNIVERGE® WL5100 WLAN Controller

UNIVERGE® Assured Mobility™ is NEC's newest-generation wireless LAN (WLAN) communications solution, connecting people to people and information—anytime, anywhere, on any device.

The power behind Assured Mobility is the Wireless Optimized Architecture (WOA) optimizing your mobility experience with high-quality voice, e-mail and instant communications, real-time multimedia and data along with many productivity-boosting advanced solutions.

The UNIVERGE WL5100 Controller is the intelligence behind WOA. Working along with connected Access Points (APs), it ensures voice call prioritization, fast handoff and call admission bandwidth control—all critical to high-quality wireless voice.

The WOA utilizes the WL5100 Controller to bring a new level of intelligence to network design. WOA forwards management packets to the UNIVERGE WL5100 while intelligently forwarding media packets directly between Access Points (APs). This feature relieves bottlenecks on the network, while it reduces delay and jitter for the high quality voice communications you have come to expect from NEC.

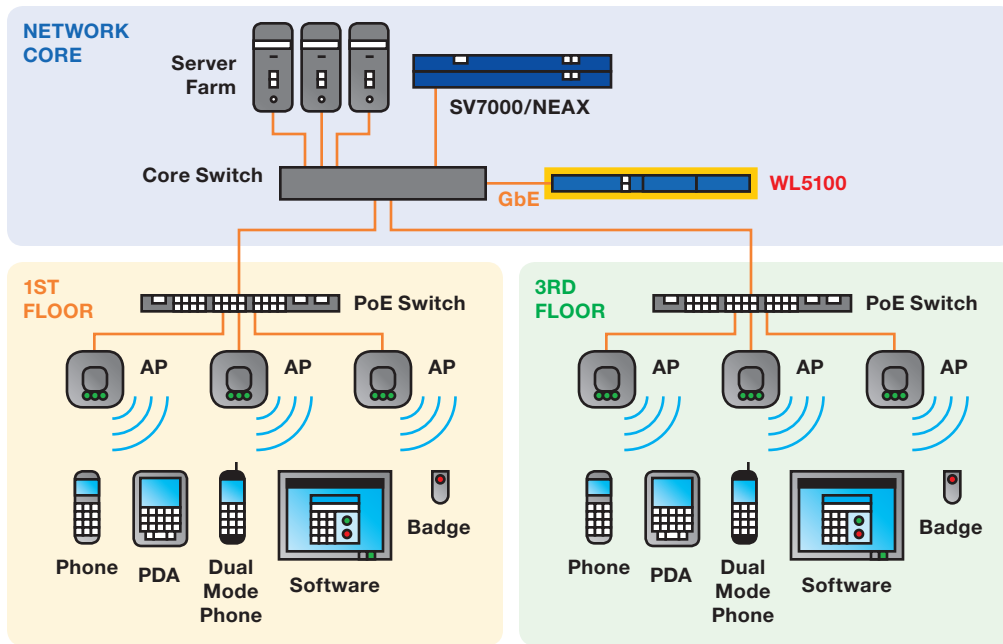
WOA network elements include UNIVERGE WL APs (WL1500-AP and WL1600 Outdoor AP) and UNIVERGE WL Controllers. One of those controllers is the UNIVERGE WL5100. With support of as many as 96 WL APs, the WL5100 ensures true centralized management, while it makes network scalability a reality. Creating a growth path from small networks with WL1700-MS APs and MPS Blade Controller networks to large enterprise-size networks.



Empowered by Innovation

NEC

WL5100 Server-based Controller



Key Features

- Configures and manages up to 96 WLAPs.
- Provides centralized management.
- Ensures scalability.

Specifications

UNIVERGE WL5100

Controllable APs	96
AP Control Mode	Appliance Mode
Physical Port	1-port 10/100/1000 BASE-TX
L2 Security	IEEE 802.1X (EAP-TLS/TTLS/PEAP[MS-CHAPv2]/MD5) MAC Filtering, WEP (64/128bits), WPA (TKIP), ¹ WPA2 (AES/TKIP) ¹
L3 Security	Web Authentication
Other Security	Access Control List (ACL), Rogue AP Detection/Containment, IDS, Blacklisting
QoS	WMM, WFQ, IEEE 802.1p/DSCP Voice Packet Prioritization, ² CAC (Bandwidth Control) ²
Other Features	Load Balancing, Inter-subnet Handoff, Fast Handoff ²
Management	GUI (HTTPS), CLI (Local console, Telnet, SSH)
Input Power	100-240VAC; 50/60Hz
Environmental	Operating Temperature: 32 to 104°F (0 to 40°C) Operating Humidity: 10-90%, Non-Condensing
Physical	Dimensions (WxDxH): 16.92 x 11.69 x 1.69 in. (430 x 297 x 43 mm) Weight: 11.24 lbs. (5.1 kg)

¹ Supports both "Enterprise Mode" using IEEE 802.1X and "Personal Mode" using Pre-Shared Key.

² Supported only with NEC's handsets and voice terminals.

Empowered by Innovation



For more information, visit necunified.com/wlan.

About NEC Unified Solutions, Inc. NEC Unified Solutions Inc., a global leader in VoIP and data communications for the enterprise and small-medium business, delivers the industry's most innovative suite of products, applications and services that help customers achieve business value through technology. NEC Unified Solutions, a wholly owned subsidiary of NEC Corporation of America, offers a complete portfolio of solutions for wireless, unified communications, voice, data and management services, and an open migration path to protect investments. NEC Unified Solutions, Inc. serves Fortune 1000 customers across the globe in vertical markets such as hospitality, education, government and healthcare.

188441 | v.4.15.07

© 2007 NEC Corporation. All rights reserved. NEC, NEC logo, UNIVERGE and Wireless Optimized architecture (WOA) are trademarks or registered trademarks of NEC Corporation that may be registered in Japan and other jurisdictions. All trademarks identified with ® or ™ are registered trademarks or trademarks respectively. Models may vary for each country. Please refer to your local NEC representatives for further details.